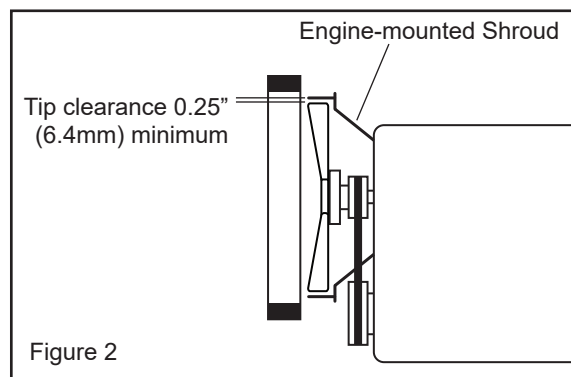
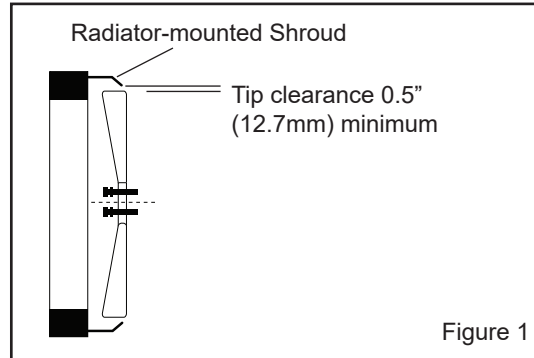
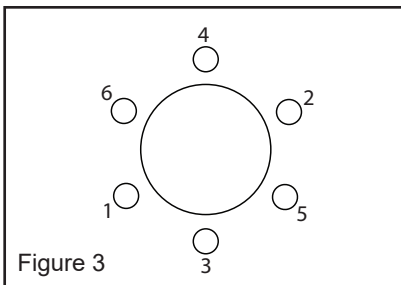


# FAN INSTALLATION INSTRUCTIONS

## ⚠ CAUTION

Fan must have a 1" (25.4 mm) clearance in front of and behind the blades to ensure proper clearance when installed and rotating at high speed unless authorized by Horton Engineering. It is the responsibility of the installer to maintain proper clearance

1. Check the minimum clearance requirements. If they are not met, this may cause an impact failure to the fan which is not covered under warranty.
  - a. Tip clearance must be 0.5" (12.7mm) minimum for radiator-mounted shrouds (figure 1). In this case the shroud and fan move independently of one another requiring more clearance for movement (for example, frame twist). More than 0.5" might be necessary depending on the application.
  - b. Tip clearance must be 0.25" (6.4mm) minimum for engine-mounted shrouds (figure 2).
2. Tighten the mounting bolts or nuts to the vehicle manufacturer's recommended torque value using the tightening sequence in figure 3.



### OPERATION CHECK

1. With the engine off and the belts loose, rotate the fan and check the minimum clearances again to ensure that these are met.
2. Tighten the belts to the vehicle manufacturer's specifications.

### Warranty

For product specific warranty information, please visit the Horton online Literature Order Center at <http://www.hortonww.com> or call Horton Customer Service at 1-800-621-1320.

### Committed to Your Ideal Airflow Solution

Horton® is the premium provider of engine cooling solutions worldwide. Our culture of innovation delivers high-performance products that last and services that help you meet your commitments. Trust Horton to help your products last longer, run quieter and consume less fuel.

Horton is IATF 16949, ISO 14001 and ISO 9001 certified.



[www.hortonww.com](http://www.hortonww.com)