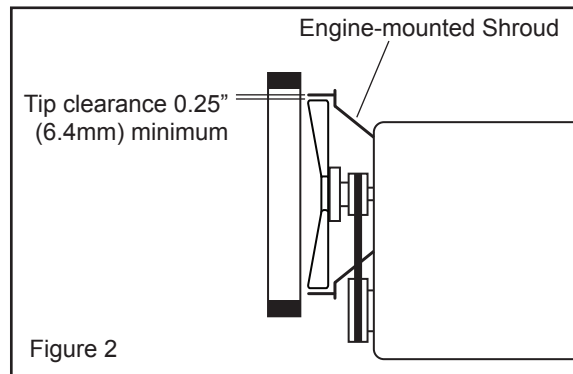
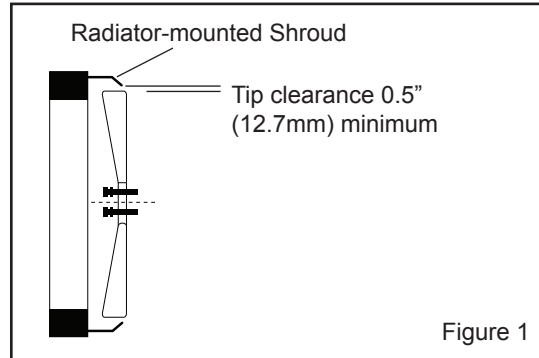
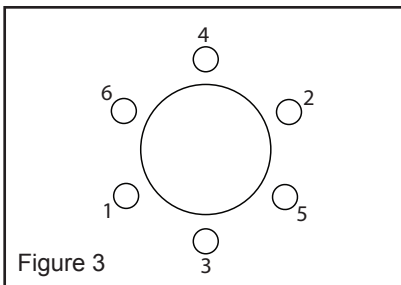


WINDMASTER® INSTALLATION INSTRUCTIONS

⚠ CAUTION

Fan must have a 1" (25.4 mm) clearance in front of and behind the blades to ensure proper clearance when installed and rotating at high speed unless authorized by Horton Engineering. It is the responsibility of the installer to maintain proper clearance

1. Check the minimum clearance requirements. If they are not met, this may cause an impact failure to the fan which is not covered under warranty.
 - a. Tip clearance must be 0.5" (12.7mm) minimum for radiator-mounted shrouds (figure 1). In this case the shroud and fan move independently of one another requiring more clearance for movement (for example, frame twist). More than 0.5" might be necessary depending on the application.
 - b. Tip clearance must be 0.25" (6.4mm) minimum for engine-mounted shrouds (figure 2).
2. Tighten the mounting bolts or nuts to the vehicle manufacturer's recommended torque value using the tightening sequence in figure 3.



OPERATION CHECK

1. With the engine off and the belts loose, rotate the fan and check the minimum clearances again to ensure that these are met.
2. Tighten the belts to the vehicle manufacturer's specifications.

Warranty

For product specific warranty information, please visit the Horton online Literature Order Center at <http://www.hortonww.com> or call Horton Customer Service at 1-800-621-1320.

Horton, Inc.
2565 Walnut St.
Roseville, MN 55113, USA
Phone: +1 (651) 361-6400
Toll-free: +1-800-621-1320
FAX: +1 (651) 361-6801
Web site: www.hortonww.com
E-mail: info@hortonww.com

Manufacturing facilities in Britton, SD, Carmel, IN and Schweinfurt, Germany are *ISO/TS 16949, ISO 14001 and ISO 9001 Certified

© 2015 Horton, Inc. All rights reserved.
Printed in USA.

22767-C-0315



Engine **Cooling Solutions** Worldwide®

